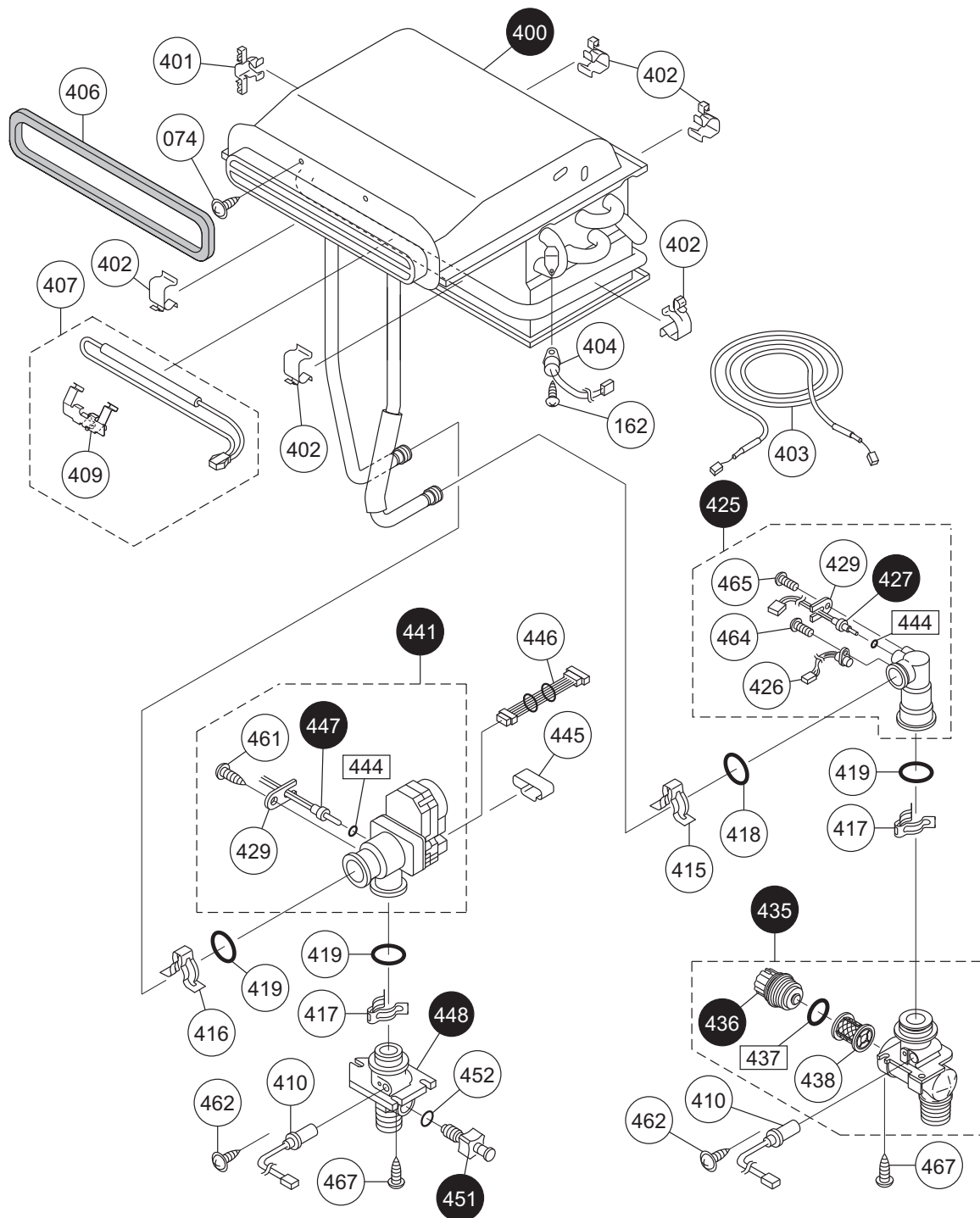
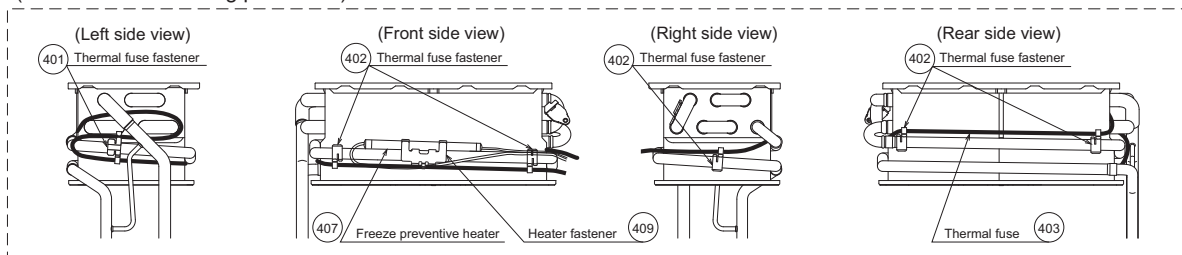


Hot-water feed route N-063S-OD



(Thermal fuse rounding procedure)



Hot-water feed route N-069M-OD,063S-OD

Part Nos.	Part Names	Order Nos.	Q'ty/unit
400	Heat exchanger & Exhaust box W EHU SET-AS	SKA7366	1<N-069M-OD>
	Heat exchanger & Exhaust box W EHV SET-AS	SKA7367	1<N-063S-OD>
401	Thermal fuse fastener CZL	CZLH005	1
402	Thermal fuse fastener DTJ	DTJH002	5
403	Thermal fuse Q DTJ SET-V	SBC7703	1
404	Remaining flame safety device 96 EHU	EHUH001	1
406	Front top packing Q CZR	CZRL001	1
407	Freeze preventive heater CRP SET-V	SAQ7745	1
409	Heater fastener EHK	EHKH001	1
410	Freeze preventive heater 3 BGD	BGDH002	2
415	Quick fastener 13-22	SAD6537	2<N-069M-OD>
	Quick fastener 13-22	SAD6537	1<N-063S-OD>
416	Quick fastener 16-25	SAD6593	2<N-069M-OD>
	Quick fastener 16-25	SAD6593	1<N-063S-OD>
417	Quick fastener 16A	6340300	2
418	O-ring P12.5C	3359808	3<N-069M-OD>
	O-ring P12.5C	3359808	1<N-063S-OD>
419	O-ring P16C	3223302	4<N-069M-OD>
	O-ring P16C	3223302	3<N-063S-OD>
425	Water flow sensor set3 DUV	DUVD019	1
426	Water outlet magnetic sensor BWC	BWCD090	1
427	Water inlet thermistor-300 BWC	BWCD097	1
429	Thermistor holding plate ALS	ALSD088	2
430	Bypass pipe EHU	EHUD005	1<N-069M-OD>
431	Water valve set EHU	EHUD007	1<N-069M-OD>
432	Conduit 23 EHU	EHUJ006	1<N-069M-OD>
435	Water inlet fitting 20A set EHU	EHUD001	1<N-069M-OD>
	Water inlet fitting 20A set EHV	EHVD001	1<N-063S-OD>
436	Water filter cover DTJ	DTJD006	1
437	O-ring P16D FN7032	BRQL008	1
438	Water filter (SUS) EGB	EGBD032	1
441	Water flow servo set HKP	HKPD005	1<N-063S-OD>
442	Water flow servo set 2 DZT	DZTD011	1<N-069M-OD>
443	Heat exchanger thermistor-300 BWC	BWCD098	1<N-069M-OD>
444	O-ring P4C	1323709	2
445	Waterproof cover CZL	CZLD041	1
446	Conduit 86 DZT	DZTJ008	1
447	Hot-water thermistor-300 BWC	BWCD096	1<N-063S-OD>
448	Hot-water outlet fitting20A EHU	EHUD004	1
451	Drain cock CRU	CRUD003	1
452	Hot-water resistant O-ring P3	SAD6633	1
461	Cross recessed round-head P TIGHT screw 4X14		
462	Cross & straight recessed truss type3 S TIGHT tapping screw 4X6		
464	Cross recessed truss P TIGHT screw 4X10		
465	Cross recessed round-head P TIGHT screw 4X14		
466	Cross recessed round-head machine screw M4X8		<N-069M-OD>
467	Cross recessed round-head collar type3 EVERTIGHT tapping screw 4X12		