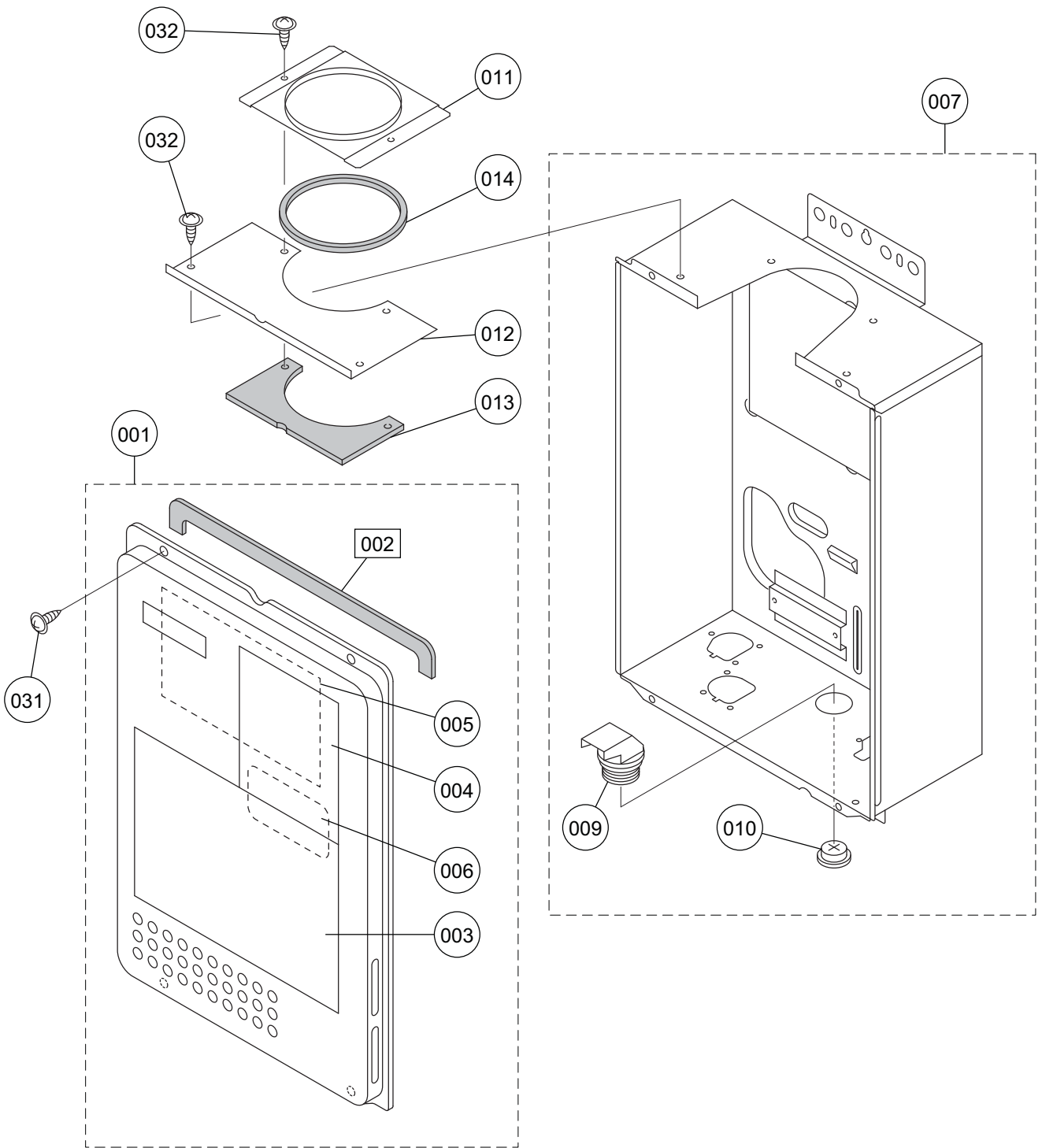
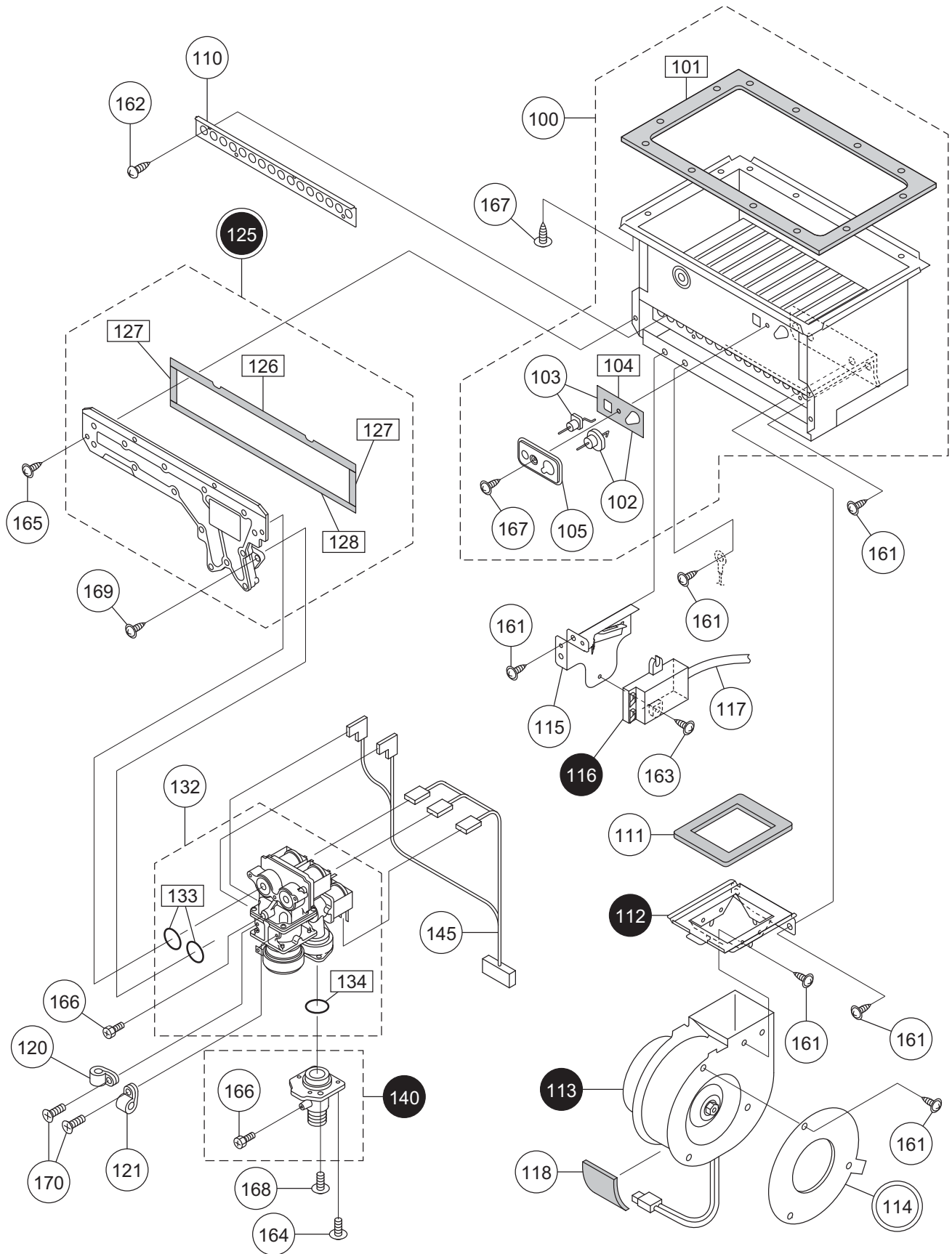


External outfitting



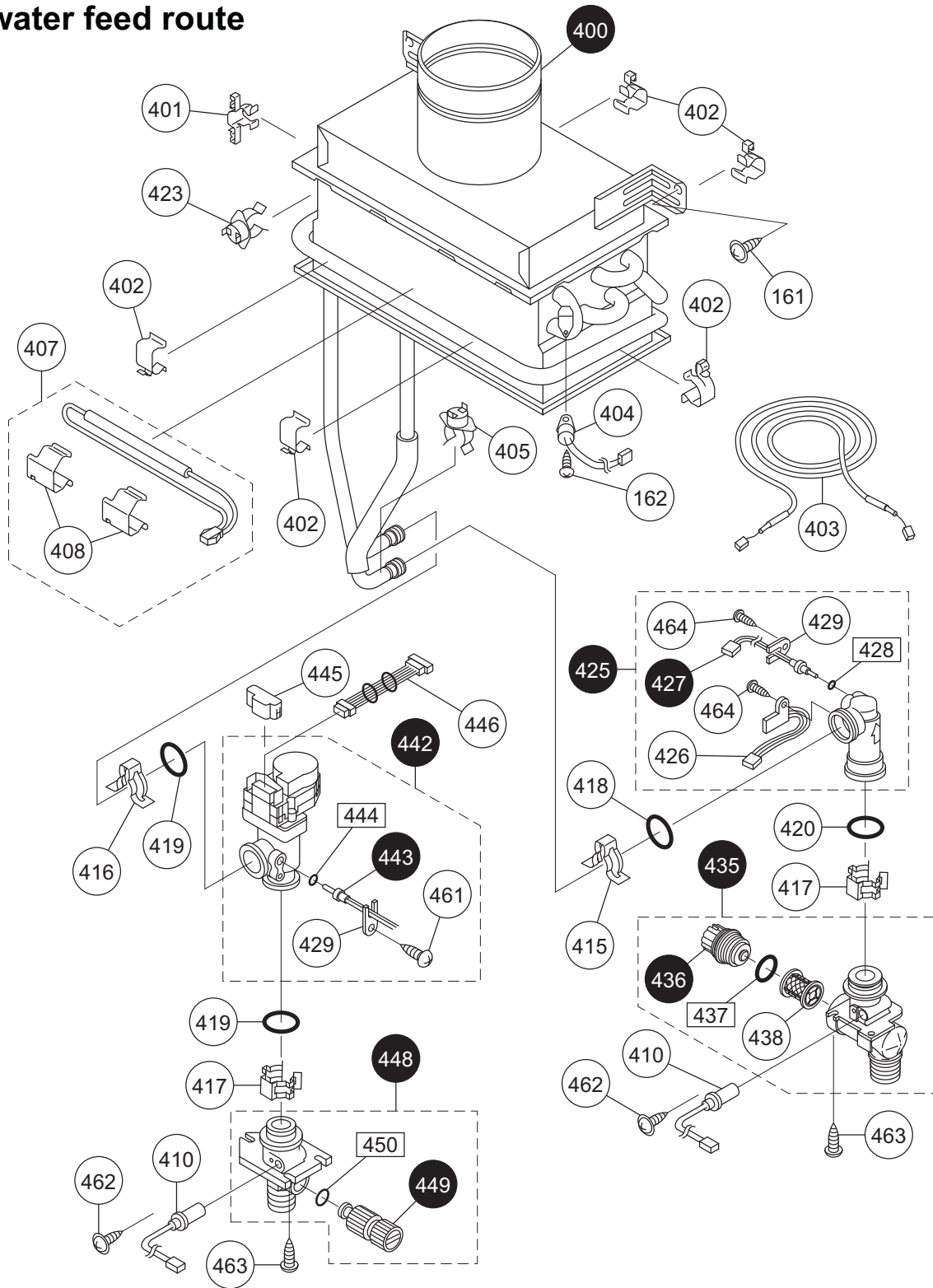
Combustion unit and gas route



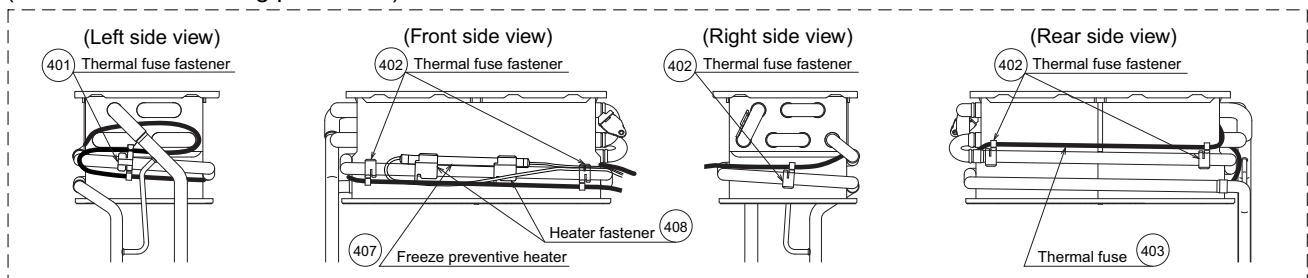
Combustion unit and gas route

Part Nos.	Part Names	Order Nos.	Q'ty/unit
100	Combustion tube SET DTJ	DTJC002	1
101	Suction air joint packing DTJ	DTJL001	1
102	Ignition plug CZL packing DLK SET-V	SBC7684	1
103	Flame rod DLK packing DLK SET-V	SBC7685	1
104	Plug packing (for B) DLK	SAB2715	1
105	Plug mounting plate (for B) DLK	DLKC029	1
110	Main damper 11 DTJ	DTJC041	1
111	Fan packing Q DTJ	DTJL004	1
112	Fan flange DTJ	DTJF035	1
113	Fan motor DTJ SET-AS	SBC7734	1
114	Bell-mouse ϕ 40 DTJ	DTJF043	1
	Bell-mouse ϕ 32 DTJ	DTJF047	1
115	Igniter mounting plate DTJ	DTJA015	1
116	Igniter CRP	CRPJ002	1
117	High-voltage cord L350 ALS	ALSJ079	1
118	Conduit guard packing DTJ	DTJL010	1
120	Nylon clamp HP-4N (NK-4N)	7287909	1
121	Nylon clamp HP-2N (NK-2N)	7144105	1
125	Manifold L16 DTJ SET-AS	SBC7686	1
	Manifold L22 DTJ SET-AS	SBC7687	1
126	Manifold seal packing top DTJ	DTJL005	1
127	Manifold seal packing side DTJ	DTJL007	2
128	Manifold seal packing bottom DTJ	DTJL006	1
132	Gas mech. S16D EDN SET-V	SBE7833	1
133	O-ring P18	2110903	2
134	O-ring P28	1648306	1
140	Gas fitting 15A SET EDN	EDNE001	1
145	Conduit R10 EDN	EDNJ005	1
161	Cross recessed round-head collar N-tapping screw 4X8		
162	Cross recessed round-head N-tapping screw 4X8		
163	Cross recessed round-head collar N-tapping screw 4X12		
164	Cross recessed PW truss machine screw M4X12		
165	Cross recessed round-head type 3 EVERTIGHT tapping screw 5X16		
166	Cross recessed hexagon head machine screw M4X8		
167	Cross recessed round-head collar N-tapping screw 4X10		
168	Cross recessed round-head machine screw M5X12		
169	Cross recessed round-head SPAK machine screw with guide M4X14		
170	Cross recessed truss machine screw M4X8		

Hot-water feed route



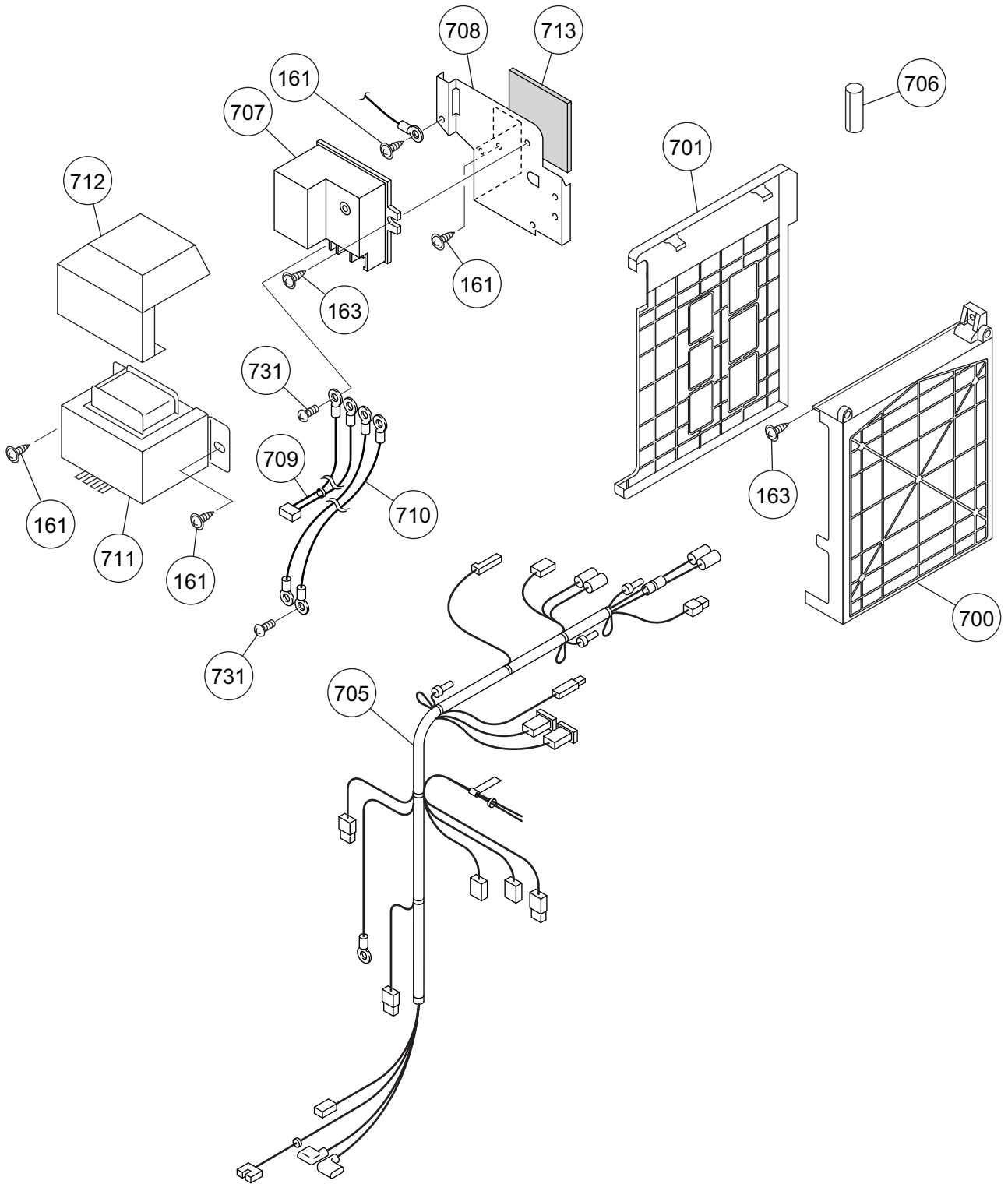
(Thermal fuse rounding procedure)



Hot-water feed route

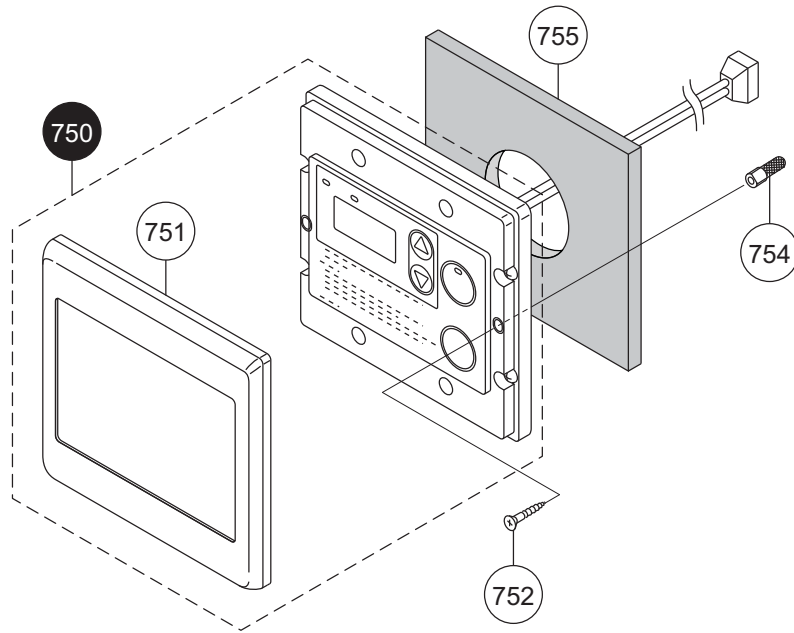
Part Nos.	Part Names	Order Nos.	Q'ty/unit
400	Piping base collective trunk EDL SET-AS	SBE7832	1
401	Thermal fuse fastener CZL	CZLH005	1
402	Thermal fuse fastener DTJ	DTJH002	5
403	Thermal fuse Q DTJ SET-V	SBC7703	1
404	High limit-120 DJP	DJPH002	1
405	F-point thermostat SET DJP	DJPH003	1
407	Freeze preventive heater CRP SET-V	SAQ7745	1
408	Heater fastener CRP	CRPH004	2
410	Freeze preventive heater 3 BGD	BGDH002	2
415	Quick fastener (for 13-22)	SAD6537	1
416	Quick fastener (for 16-25)	SAD6593	1
417	Quick fastener 16A	6340300	2
418	O-ring P12.5	3359701	1
419	O-ring P16C	3223302	2
420	O-ring P16	2144905	1
423	F-point thermostat BVU	BVUH002	1
425	Water level sensor SET DDM	DDMD001	1
426	Magnetic sensor CXD	CXDD003	1
427	Water inlet thermostat-300 BWC	BWCD097	1
428	O-ring P4	2100908	1
429	Thermistor holding plate ALS	ALSD088	2
435	Water inlet fitting 20A SET EDN	EDND001	1
436	Water filter cover DTJ	DTJD006	1
437	O-ring 16DF BRQ	BRQL008	1
438	Water filter DTJ	EGBD032	1
442	Water level servo SET with close cock EBA	EBAD007	1
443	Hot-water outlet thermostat-300 BWC	BWCD096	1
444	O-ring P4C	1323709	1
445	Drip-proof cover CZL	CZLD041	1
446	Conduit 86 DTJ	DTJJ006	1
448	Hot-water outlet fitting 20A SET EDL	EDLD003	1
449	QMF safety valve A(S)	SAA2811	1
450	Hot-water resistant O-ring P9	SAD6635	1
461	Cross recessed round-head P TIGHT 4X14		
462	Cross & Straight recessed truss type 3 S TIGHT tapping screw 4X6		
463	Cross recessed round-head type 3 EVERTIGHT collar tapping screw 4X12		
464	Cross recessed truss P TIGHT 4X14		

Electronic control unit

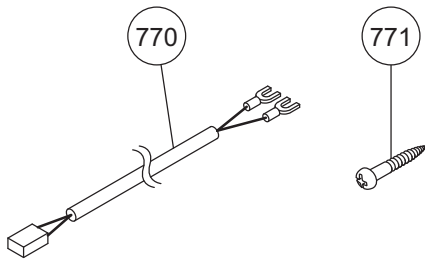


Remote controller and attached set

Remote controller
Kitchen remote controller
(RC-7646M USA)



Attached set



<Special part>

Special part	Special part no.
Instruction manual	888

