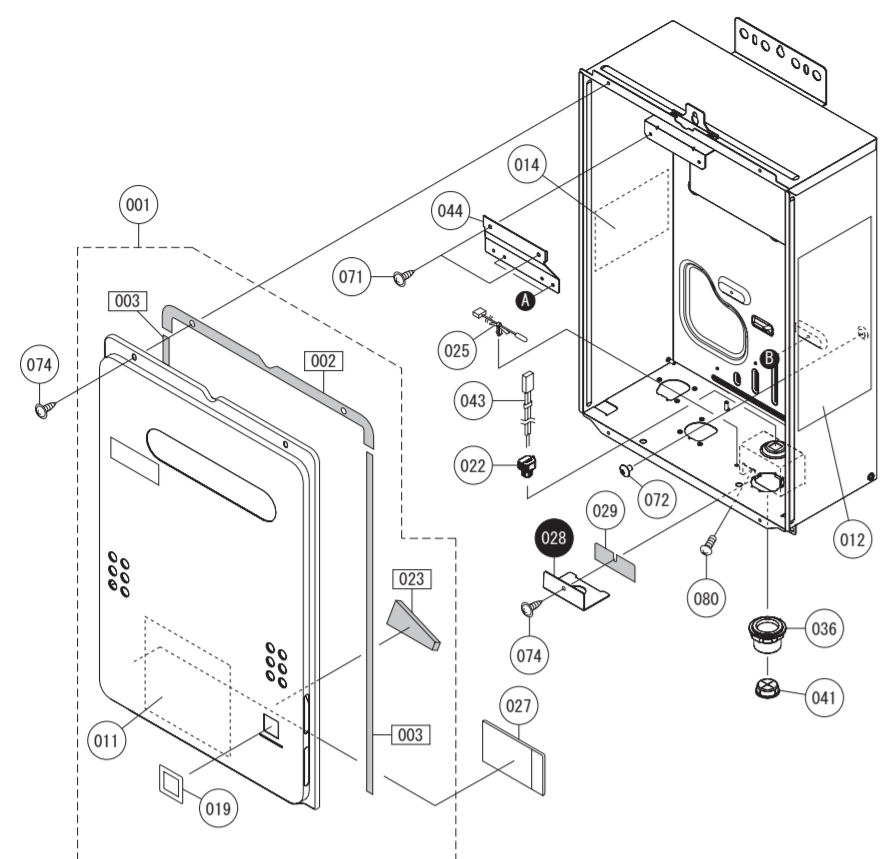


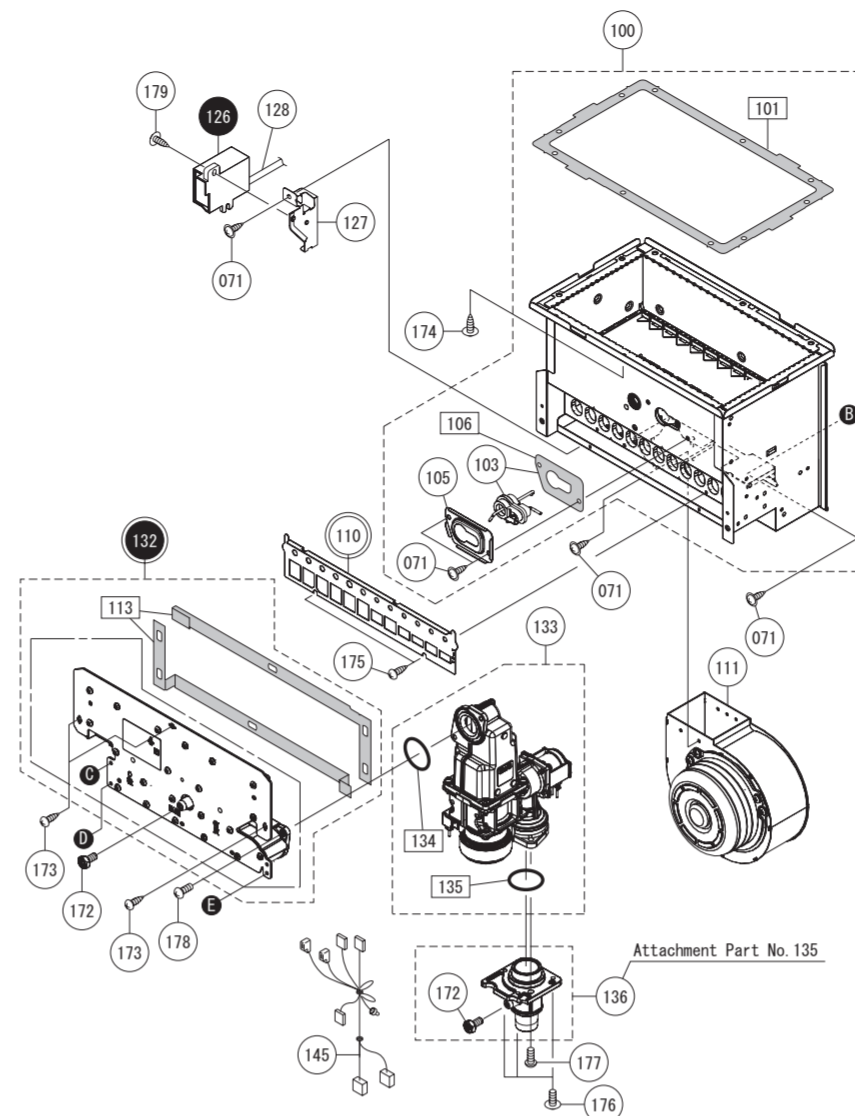
External outfitting NER660D (GQ-2039WS ET US)



External outfitting NER660D (GQ-2039WS ET US)

Part No.	Part Names	Order No.	Q'ty/unit
001	Front Cover - GQ-2039WS ET US	SKJ7216	1
002	Gasket - Front Cover Top and Bottom	EAL002	1
003	Gasket - Front Cover Sides	EWL001	2
011	Wiring Diagram	EYK001	1
012	Label - Outside Case Caution Label	BW003	1
014	Label - Name Plate	EWK151	1
019	Sight Glass Window	EVR002	1
022	Inlet Power Wire Clip	ETPA073	1
023	Gasket - Sight Glass Window	EVL001	1
025	Thermostat - Air	BW003	1
027	Parts List/Technical sheet	EWK161	1
028	Junction Box Cover	ENL025	1
029	Gasket - Junction Box Cover	ENL005	1
036	Wiring Through Bay	EQMA055	1
041	Wire Grommet - Rubber	CPK026	1
043	Inlet Power Wires	ENL020	1
044	Mounting Plate - Heat Exchanger	EMB008	1
071	Screw - Short Tapping M4X8 S410		
072	Screw - Short Machined M4X6 S410		
074	Screw - Front Cover with washer M4X12 S410		
080	Screw - Remote Terminal M4X8 S430		

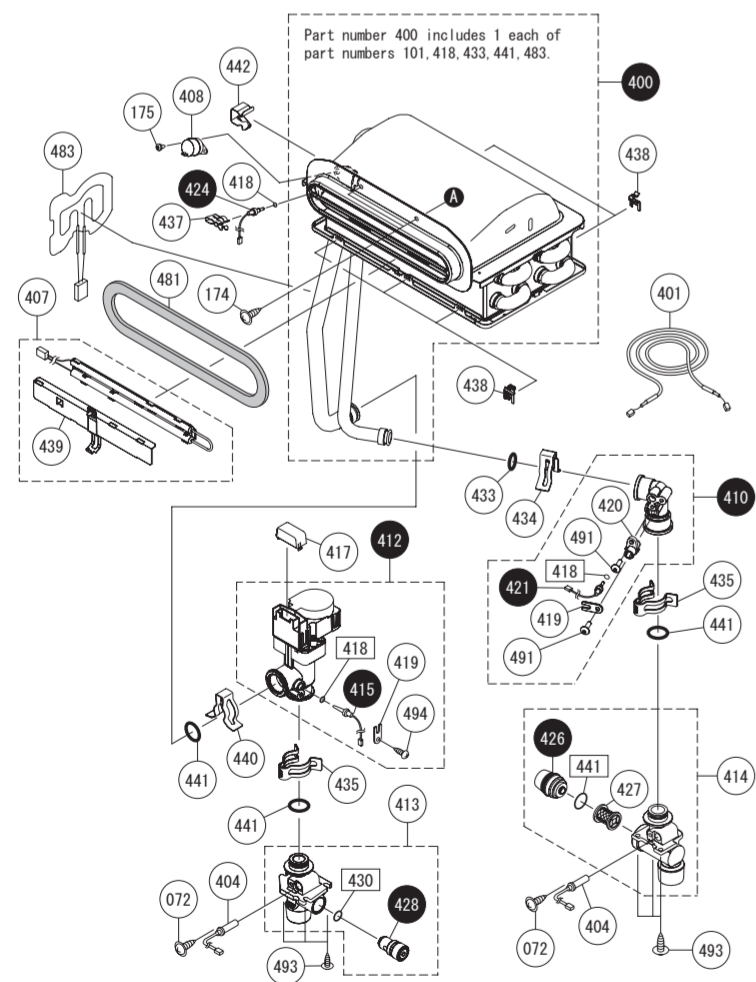
Combustion unit and gas route NER660D (GQ-2039WS ET US)



Combustion unit and gas route NER660D (GQ-2039WS ET US)

Part No.	Part Names	Order No.	Q'ty/unit
100	Burner w/ Gasket and Ignition Plug (SET)	SKJ70FU	1
101	Basket - Burner	EVL002	1
103	Ignition Plug w/ Gasket	SKY7301	1
105	Mounting Plate - Ignition Plug	EUL022	1
106	Gasket - Ignition Plug	EUL003	1
110	Burner Damper 12-8	EYK008	1CLP>
	Burner Damper 12-6	EYK006	1-NG>
111	Fan Motor w/ Housing	SKE7389	1
113	Gasket - Manifold Plate	EYK012	2
126	Igniter	ERD112	1
127	Mounting Plate - Igniter	EYK016	1
128	High Voltage Igniter Wire	ALS072	1
132	Manifold Plate 09-14 (SET)	SKJ70FK	1CLP>
	Manifold Plate 11-19 (SET)	SKJ70MH	1-NG>
133	Gas Valve	SKJ70NE	1
134	O-Ring - Gas Solenoid	SA6044	1
135	O-Ring - Gas Valve Bottom	1648306	1
136	Inlet Gas Connection w/ Screw (SET)	SKJ70G	1
145	Wiring Harness - Gas Valve	EYK016	1
172	Screw - Inlet and Manifold Gas M4X8		
173	Screw - Large Manifold Plate M6X16 S410	SA6082	2
174	Screw - Medium Tapping M4X10 S410		
175	Screw - Small Tapping w/o collar M4X8 S410		
176	Screw - Machine Screw M4X12 S430		
177	Screw - Mounting Machine M4X12 S430		
178	Screw - Machine w/ guide M4X14		
179	Screw - Long Tapping M4X12 S410		

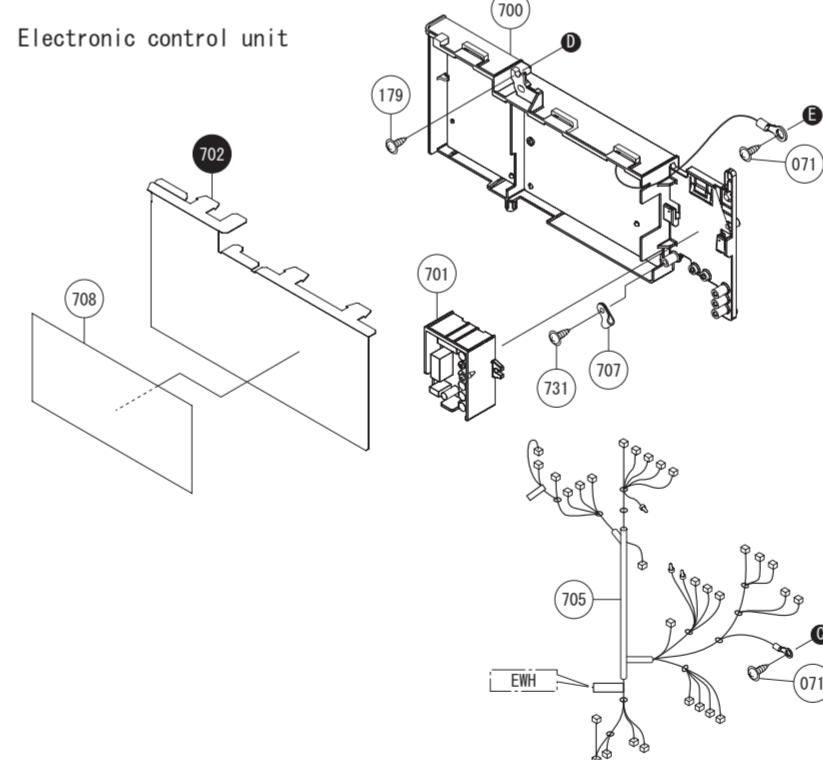
Hot-water feed route NER660D (GQ-2039WS ET US)



Hot-water feed route NER660D (GQ-2039WS ET US)

Part No.	Part Names	Order No.	Q'ty/unit
400	Heat Exchanger Kit (00) (SET)	SKJ72D	1
401	Thermal Fuse	EYK010	1
404	Freeze Prevention Heater - Round Short	EDM003	2
407	Freeze Prevention Heater - Double Round (SET)	SKJ70SL	1
408	High Limit Switch	ENL001	1
410	Water Flow Sensor (SET)	EYD041	1
412	Water Servo - Main (SET)	JWR051	1
413	Outlet Water Connection	EYK003	1
414	Inlet Water Connection (SET)	FYD001	1
415	Thermostat - White - M64	BW006	1
417	Wire Cover - Servo	ES10023	1
418	O-Ring - Thermostat High Temp P4	1323709	3
419	Thermostat Holding Plate	ALS0088	2
420	Magnetic Sensor - Flow Sensor	BW0090	1
421	Thermostat - White - 063	BW0097	1
424	Thermostat - White - 064	BW0098	1
426	Water Filter Cap	DTJ0006	1
427	Water Filter	EG00032	1
428	Safety Relief Valve	SA60111	1
429	O-Ring - High Temp P9	SA60535	1
433	O-Ring - High Temp P12.5	3359808	1
434	O' Clamp - Water Pipe 13-22	SA06537	1
435	O' Clamp - Water Pipe 16A	ES04000	2
437	O' Clamp - Thermostat	ORU0655	1
438	Clamp - Thermal Fuse	EYK004	5
439	Clamp - Freeze Prevention	EYK001	1
440	O' Clamp - Water Pipe 16-25	SA05593	1
441	O-Ring - High Temp P16	3223302	4
442	Clamp - Thermal Fuse	ORU003	1
481	Gasket - Exhaust (00)	DJL007	1
483	Freeze Prevention Heater	EYK002	1
491	Screw - Round Head Medium Tapping M4X10 S305		
493	Screw - Long Machine M4X12 S410		
494	Screw - Round Head Medium Tapping M4X10 S410		

Electronic control unit, Remote controller, Attached set NER660D (GQ-2039WS ET US)

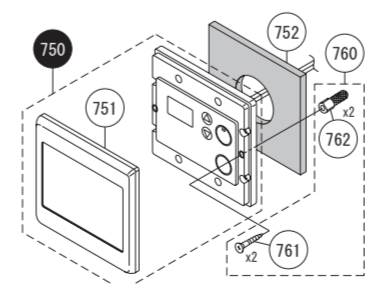


Electronic control unit, Remote controller, Attached set NER660D (GQ-2039WS ET US)

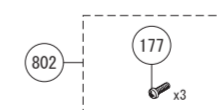
Part No.	Part Names	Order No.	Q'ty/unit
700	Circuit Board	SKJ71L6	1
701	Circuit Board	SKJ701M	1
702	Cover - Circuit Board	EYK015	1
705	Wiring Harness - NER660-00	SKJ7001	1
707	Clamp - Nylon #4	7393009	1
708	Label - Circuit Board Plastic Cover	EYK006	1
731	Screw - Remote Terminal Cover M4X12 S410		
750	Remote Controller - RC-765IM (SET)	00U017	1
751	Cover - Remote	08E0003	1
752	Mounting Packing - Remote	08U1115	1
760	Screw Package - Remote (SET)	00U100	1
761	Screw - Round Head Wood M4 1X25 S305		
762	Dry Wall Anchors #25		
800	Box - GQ-2039WS ET US	SKJ7216	1
802	Label - Gas Type LP	ESD0008	1CLP>
888	Screw Package - Mounting 00	SA02206	1
889	Owner's Guide NER660D	S88116E	1
	Installation Manual NER660D	S88116F	1

Optional

Remote controller RC-765IM-ENG



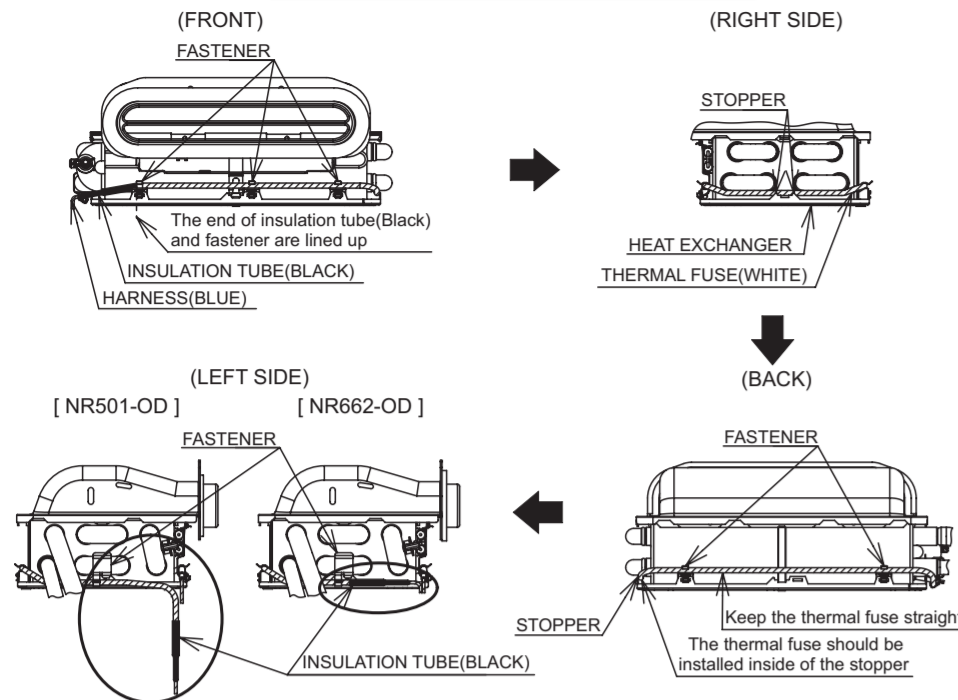
Attached set



<Special part>

Special part	Special part no.
Owner's guide	888
Installation manual	889

Thermal Fuse Installation Procedure



Install the thermal fuse following the below procedure.

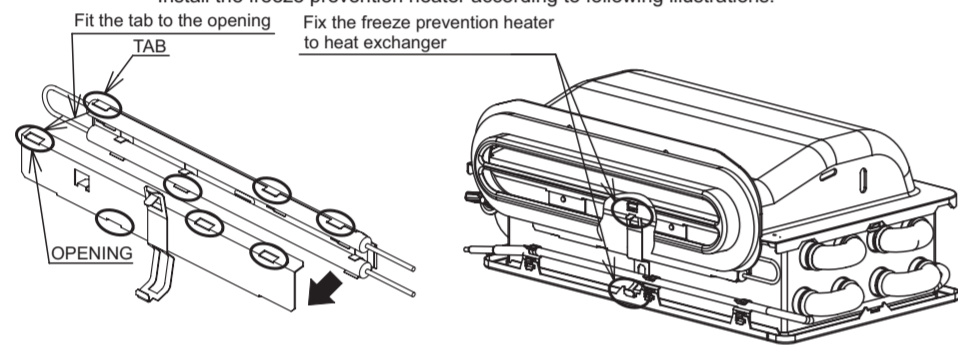
1. Begin the installation by attaching the thermal fuse to the left side of the fastener as indicated in the above illustration.
2. Continue wrapping the thermal fuse around the heat exchanger securing it at each attachment point using the fasteners shown in the above illustrations.

Caution

The thermal fuse may snap if it is twisted, pinched or bent too sharply. Do not bend the thermal fuse to a radius of less than 1.25".

Freeze Prevention Heater Installation Procedure

Please check the present position and re-install to the original position. Install the freeze prevention heater according to following illustrations.



Procedure for Flushing the Heat Exchanger

This procedure is only intended for use by a qualified service professional or authorized Noritz Service Representative. Any unauthorized use of this procedure may result in voiding the warranty. Please contact Noritz America (866-766-7489) for additional support.

If the error code "C*#"-C*#" is flashing on the Display Window, it means there is Scale Build-up in the Heat Exchanger. The Heat Exchanger needs to be flushed** to remove the Scale Build-up. **Damage to the water heater due to Scale Build-up is not covered by the water heater's warranty.** To clear the error code "C*#"-C*#", the Heat Exchanger must be flushed. If the error code "C*#" is displayed and flashing in the Display Window, please contact Noritz America (866-766-7489).

* * = 1, 2, 3, 4, F

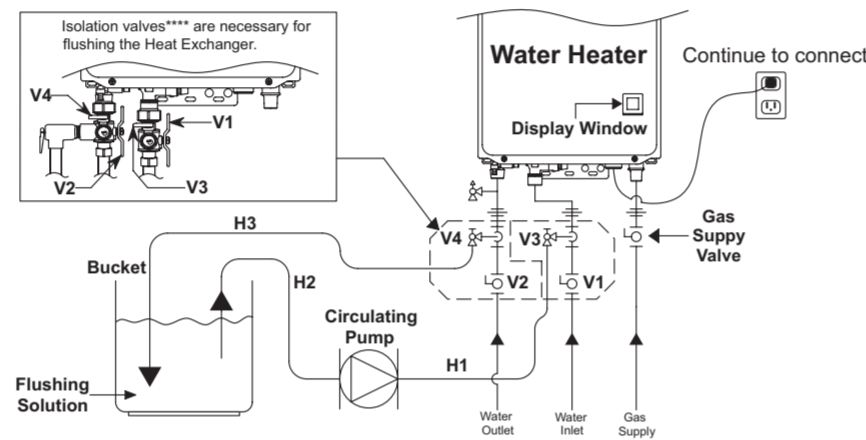
= 1, 2, 3, 4, 5, 6, 7, 8, 9, A, B, C, D, E, F

** Connect the "blue connector" for flushing on the Circuit Board when flushing the Heat Exchanger. After connecting it, the water heater is set to "Flushing Mode".

The water heater must remain connected to electrical power when flushing the Heat Exchanger.

<< 1. The preparation of the flushing system >>

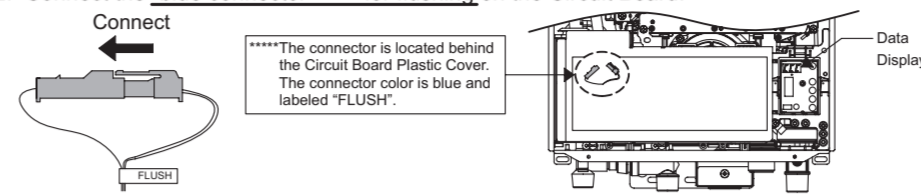
1. Close the gas supply valve.
2. Close the water inlet valve (V1) and the water outlet valve (V2).
3. Connect the one drain hose (H1) to the drain valve (V3), and then the other to the circulating pump.
4. Connect the drain hose (H2) to the circulating pump.
5. Connect the drain hose (H3) to the drain valve (V4).
6. Pour 4 gallons or more of flushing solution*** into the bucket.
7. Place the both drain hoses (H2 and H3) into the bucket filled with the flushing solution.



**** Isolation valves**** are necessary for flushing the Heat Exchanger. They allow for full diagnostic testing and easy flushing of the system. Contact Noritz America for more information (866-766-7489).

<< 2. Flushing the Heat Exchanger >>

1. Open the Front Cover.
2. Connect the "blue connector****" for flushing on the Circuit Board.



3. Then the code "CCC" is displayed on the Data Display.



4. Turn on the circulating pump to circulate the flushing solution through the water heater for 1 hour at a rate of 1.5 gallons per minute or more.
5. The code "C60" is displayed on the Data Display when the water heater detects the flow of the flushing solution.

When 1 minute passes, the code "C60" will change to "C59" on the Data Display.



Please check whether the reverse connection of the hose (H1) and (H3) if the display number will not change. In that case, the flow rate of the flushing solution may be under 1.5 gallons per minute.

6. When 1 hour passes, the code "C00" is flashing on the Data Display. Do not disconnect the "blue connector for flushing" on the Circuit Board.



7. Turn off the circulating pump.

<< 3. Cleaning the Heat Exchanger >>

The flushing solution needs to be rinsed and cleaned out of the water heater. Below is the way to rinse and clean the flushing solution.

1. Remove both drain hoses (H2 and H3) from the bucket. And then place the drain hose (H3) into the sink or outside to drain.
2. Close the drain valve (V3) and then open the water inlet valve (V1). Do not open the fresh water outlet valve (V2).

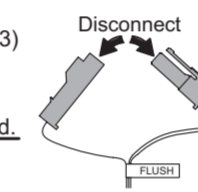
3. Clean the water heater with fresh water for 3 minutes or more. (Needs to have enough time to clean the water heater.)

4. Close the drain valve (V4) and then remove the drain hose (H3) from the drain valve (V4).

5. Remove the drain hose (H1) from the drain valve (V3).

6. Disconnect the "blue connector for flushing" on the Circuit Board. The code "C00" goes out on the Data Display.

7. Close the Front Cover.
8. Open the gas supply valve and water outlet valve (V2).
9. Check for correct operation of the water heater.



Please contact Noritz America if more information is needed for flushing. (Phone # : 866-766-7489)