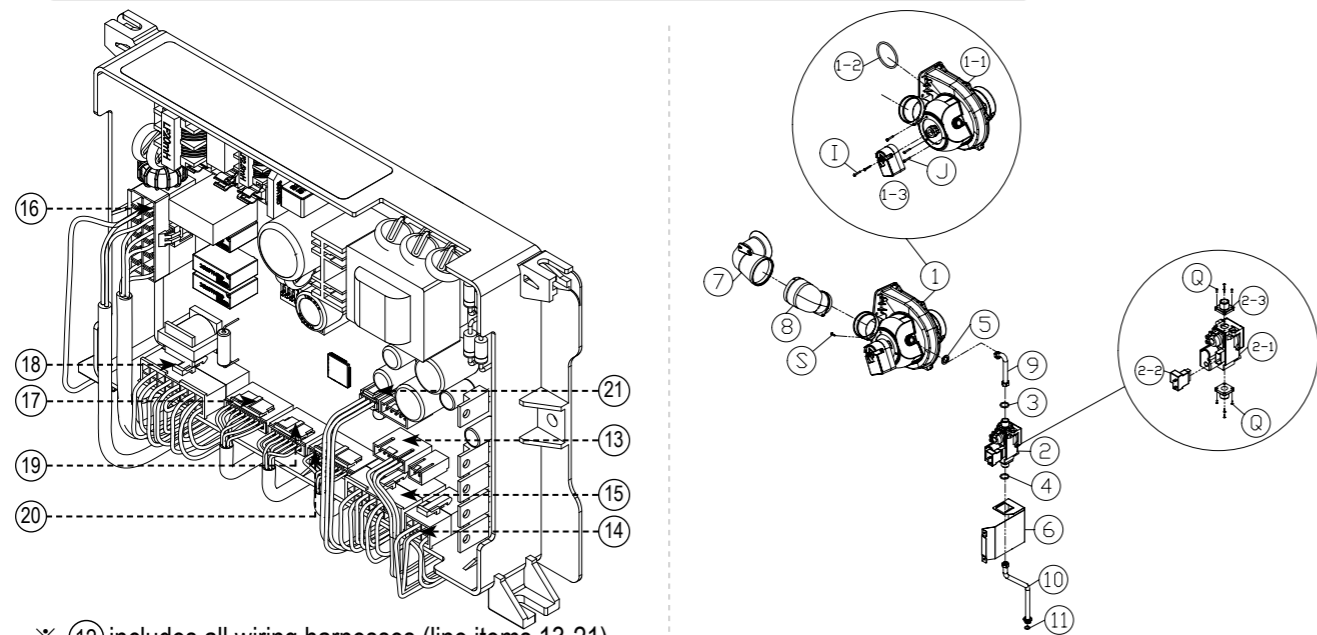


Part List

PART III _ FAN MOTOR & WIRE HARNESS PART



※ ⑫ includes all wiring harnesses (line items 13-21)

Item	Description	Part Number	Qty
1	Fan & AGM Assembly (NG)	NAF238(NG)	1
1	Fan & AGM Assembly (LP)	NAF239(LP)	1
1-1	Fan	NPF002	1
1-2	O-ring	NPL003	1
1-3	AGM (Actuator) (NG)	NPF240(NG)	1
1-3	AGM (Actuator) (LP)	NPF241(LP)	1
2	Gas Valve Assembly	NAC020	1
2-1	Gas Valve	NPC021	1
2-2	Gas Valve Plug	NPC022	1
2-3	Gas Valve Adapter (Straight)	NPE023	2
3	15A Packing (Non-Asbestos)	NPC193	1
4	15A Packing	NPC041	1
5	Gas Mixer Packing	NPC042	1
6	Gas Valve Bracket	NPA070	1

Item	Description	Part Number	Qty
7	Silencer Body	NPA103	1
8	Silencer Elbow	NPA104	1
9	Gas Pipe (Upper)	NPC039	1
10	Gas Pipe (Lower)	NPC040	1
11	O-ring (p18)	NPD032	1
12	Wire Harness Assembly	NAH275	1
13	CN3 (On-Demand Terminal Block)	NPH276	1
14	CN4 (Fan Motor)	NPH277	1
15	CN7 (Flame Sensor/Thermistors)	NPH278	1
16	CN9 (Pump/Igniter/Gas Valve/Power Switch)	NPH279	1
17	CN10 (Water Mixing Valve)	NPH280	1
18	CN11 (High Limit Switch/Remote)	NPH281	1
19	CN12 (AGM)	NPH282	1
20	CN14 (Water Flow Control Valve)	NPH283	1
21	CN15 (Recirculation Flow Sensor)	NPH284	1

Screw

Item	Description	Length
A	Truss Head Tapping Screw	M4 x 10
B	Flat Head Machine Screw	M4 x 10
C	Round Head with Flange Machine Screw	M4 x 8
D	Round Head Tapping Screw	M3 x 6
E	Truss Head Machine Screw	M4 x 10
F	Truss Head Tapping Screw	M4 x 16
G	Truss Head Tapping Screw	M4 x 6
H	Round Head Tapping Screw	M4 x 16
I	Round Head Tapping Screw	M4 x 30
J	Truss Head Machine Screw	M4 x 25
K	Truss Head Machine Screw	M5 x 30
L	Truss Head with PC Washer Tapping Screw	M4 x 10

Item	Description	Length
M	Round Head Tapping Screw	M5 x 12
N	Hexagon Head with Flange Tapping Screw	M5 x 16
O	Hexagon Head with Flange Tapping Screw	M5 x 12
P	Round Head Machine Screw	M3 x 6
Q	Round Head Machine Screw	M4 x 12
R	Truss Head Machine Screw	M4 x 8
S	Truss Head Tapping Screw	M4 x 10
T	Round Head with Flange Tapping Screw	M3 x 6
U	Truss Head Tapping Screw	M4 x 12
V	Flat Head Machine Screw	M4 x 15
W	Hexagon Head with Flange Screw	M4 x 10
X	Round Head Tapping Screw	M3 x 16
Y	Round Head Tapping Screw	M4 x 8

Part List

NORITZ

CONDENSING TANKLESS GAS WATER HEATER



Part List

Models

NRCP111-DV / NRCP98-DV

• Natural Gas(NG) / Liquid Propane Gas (LP)



Low NOx Approved
by SCAQMD
14ng/J or 20ppm
(Natural Gas Only)

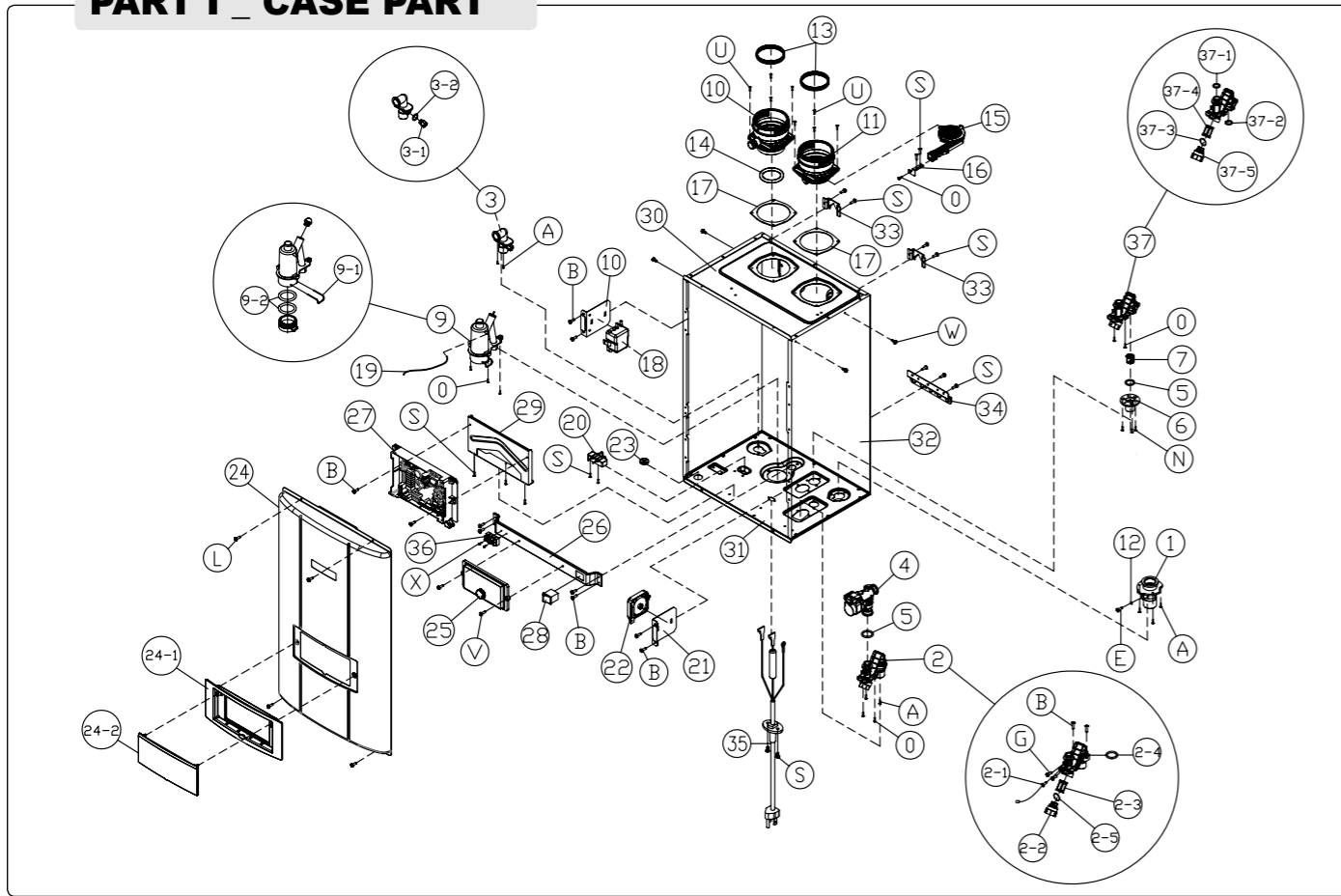


NORITZ

NORITZ AMERICA CO. 11160 Grace Avenue Fountain Valley, CA 92708
Phone : 866 - 766 - 7489

Part List

PART I _ CASE PART

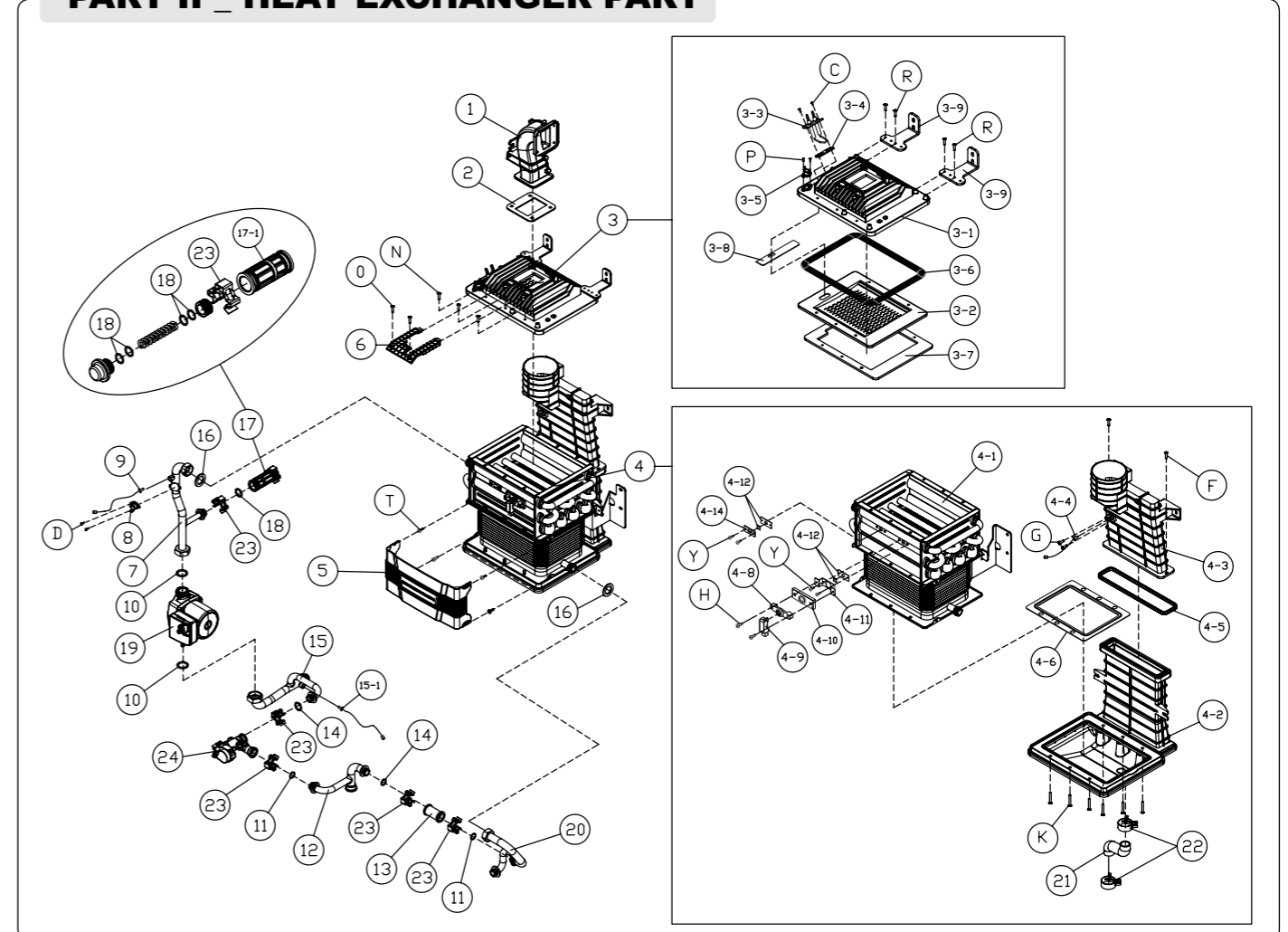


Item	Description	Part Number	Qty
1	Gas Inlet Connection	NPC043	1
2	Cold Water Connection Assembly	NAD045	1
2-1	Cold Water Temperature Sensor	NPD046	1
2-2	Cold Water Filter Cap	NPD047	1
2-3	Cold Water Filter	NPD048	1
2-4	O-ring (P20)	NPD035	1
2-5	O-ring (P18)	NPD032	1
3	Hot Water Connection Assembly	NAD246	1
3-1	Hot water Plug	NPD052	1
3-2	O-ring (P10)	NPD053	1
4	Flow Control Valve	NPD055	1
5	O-ring (P16)	NPD033	2
6	Recirculation Return Connection	NPD060	1
7	Check Valve	NPD061	1
9	Condensate Trap	NPF067	1
9-1	Condensate Clip	NPA068	1
9-2	O-ring (P44)	NPF069	2
10	Exhaust Assembly	NPF247	1
11	Air Intake Assembly	NPF248	1
12	O-ring (P4)	NPF135	1
13	Exhaust and Intake Packing	NPL074	2
14	O-ring (P75)	NPF075	1
15	Air Intake Filter	NPF076	1
16	Air Intake Filter Bracket	NPA077	1
17	Gasket	NPL078	2
18	Igniter	NPH079	1

Item	Description	Part Number	Qty
19	Siphon Air Pressure Hose	NPF080	1
20	Water Leak Detector	NPF083	1
21	Bracket (Igniter, Air Pressure Switch)	NPA082	2
22	Air Pressure Switch	NPH081	1
23	Wiring Through Way Packing	NPA085	1
24	Front Cover Assembly	NAA249	1
24-1	Control Panel Bracket	NPA250	1
24-2	Control Panel Window	NPA088	1
25	Control Panel	NPJ251	1
26	Control Panel Steel Bracket	NPA252	1
27	PCB (Control Board)	NPJ253	1
28	Rocker Switch	NPH092	1
29	Control Board Bracket	NPA254	1
30	Case (Top)	NPA255	1
31	Case (Bottom)	NPA256	1
32	Case	NPA257	1
33	Case Bracket	NPA258	2
34	Case Bracket (Bottom)	NPA259	1
35	Power Cord	NPH095	1
36	Terminal Block	NPA156	1
37	Recirculation Unit Assembly	NAD260	1
37-1	O-ring (P16)	NPD033	1
37-2	O-ring (P20)	NPD035	1
37-3	O-ring (P18)	NPD032	1
37-4	Clod Water Filter	NPD048	1
37-5	Cold Water Filter Cap	NPD047	1

Part List

PART II _ HEAT EXCHANGER PART



Item	Description	Part Number	Qty
1	Blower Connector	NPF005	1
2	Blower Connector Packing	NPL006	1
3	Burner Assembly	NAC261	1
3-1	Burner Head	NPC235	1
3-2	Burner Flange	NPC009	1
3-3	Ignition Rod	NPC010	1
3-4	Ignition Rod Gasket	NPA011	1
3-5	Burner High Limit Switch	NPH224	1
3-6	Burner Head Packing	NPL013	1
3-7	Burner Head Gasket 1	NPL262	1
3-8	Burner Head Gasket 2	NPL015	1
3-9	Heat Exchanger Brackets (Left & Right)	NPA026	2
4	Heat Exchanger Assembly	NAB263	1
4-1	Heat Exchanger Semi Assembly	NPB264	1
4-2	Exhaust Pipe Assembly (Lower)	NPF018	1
4-3	Exhaust Pipe Assembly (Upper)	NPF019	1
4-4	Exhaust Temperature Sensor	NPH019	1
4-5	Exhaust Duct Packing	NPL024	1
4-6	Secondary Heat Exchanger Packing	NPL025	1
4-8	Flame Detector Sensor Bracket	NPA027	1
4-9	Flame Detector Sensor	NPH028	1
4-10	Flame Detector Metal Plate	NPA207	1
4-11	Flame Observation Bracket	NPA205	1
4-12	Flame Observation/View Glass & Gasket	NPA265	1

Item	Description	Part Number	Qty
4-14	Flame View Bracket	NPA226	1
5	Secondary Heat Exchanger Cover	NPA029	1
6	Burner Fixing Bracket	NPA030	1
7	Hot Water Outlet Pipe	NPD266	1
8	Overheat Switch	NPH044	1
9	Water Temperature Sensor	NPD094	1
10	Packing (25A)	NPD267	2
11	O-ring (P16)	NPD033	2
12	Cold Water / Mixing Pipe	NPD268	1
13	Recirculation Flow Sensor	NPD269	1
14	O-ring (P15)	NPD036	1
15	Pump Outlet Pipe	NPD270	1
15-1	Hot Water Temperature Sensor	NPD054	1
16	Packing (20A)	NPD038	3
17	Water Chamber Assembly	NAD057	1
17-1	Water Chamber Body	NPD059	1
18	O-ring (P16)	NPD033	5
19	Circulation Pump	NPD271	1
20	Cold Water Inlet Pipe	NPD272	1
21	Condensate Hose	NPF273	1
22	Condensate Hose Clip	NPA066	2
23	Water Hammer Clip	NPA084	2
24	Water Mixing Valve	NPD274	1